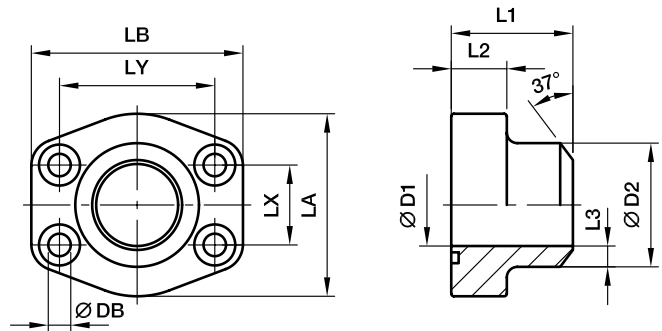


Flanges

5142 / 5143 - SAE Straight 4 bolt flange (butt weld)

SAE Flange / Butt weld tube end
(ISO 6162-1/-2)



3000 PSI Series

Nom. flange size SAE (in.)	ISO (DN)	Ø max.	D1	D2	L1	L2	L3	LA	LB	LX	LY	DB	Weight (steel) kg/piece	PN (bar)		
														Order code*	S	SS
1/2	13	21.3	13	21.6	36	16	4.3	46	58	17.5	38.1	9.0	0.28	5142-021-08	345	345
3/4	19	26.9	19	27.2	36	18	4.1	49	66	22.3	47.6	10.5	0.39	5142-028-12	345	345
1	25	33.7	25	34.5	38	18	4.7	53	71	26.2	52.4	10.5	0.46	5142-034-16	345	345
1 1/4	32	42.4	31	42.8	41	21	3.0	69	80	30.2	58.7	10.5	0.66	5142-042-20	276	276
1 1/2	38	48.3	38	48.6	44	25	5.3	77	94	35.7	69.9	13.5	1.05	5142-048-24	207	207
2	51	60.3	50	61.0	45	25	5.5	89	103	42.9	77.8	13.5	1.19	5142-061-32	207	207
2 1/2	64	76.1	63	76.6	50	25	6.8	101	115	50.8	88.9	13.5	1.40	5142-077-40	172	172
3	76	88.9	73	89.0	50	27	8.0	124	135	61.9	106.4	17.0	2.15	5142-092-48	138	138
3 1/2	89	101.6	89	103.0	50	27	7.0	134	153	69.9	120.7	17.0	2.40	5142-103-56	34	34
4	102	114.3	99	115.0	50	27	8.0	147	163	77.8	130.2	17.0	2.85	5142-115-64	34	34
5	127	140.0	120	141.0	50	28	10.5	180	184	92.1	152.4	17.0	4.85	5142-140-80	34	34

6000 PSI Series

1/2	13	17.2	10	17.5	36	18	3.7	46	58	18.2	40.5	9.0	0.26	5143-017-08	420	420
1/2	13	21.3	13	21.6	36	18	4.3	46	58	18.2	40.5	9.0	0.29	5143-021-08	420	420
3/4	19	26.9	18	27.2	36	18	4.6	53	71	23.8	50.8	10.5	0.50	5143-028-12	420	420
1	25	33.7	22	34.5	44	24	6.3	66	80	27.8	57.2	10.5	0.76	5143-034-16	420	420
1 1/4	32	42.4	28	42.8	44	25	7.4	77	94	31.8	66.6	15.0	1.35	5143-042-20	420	420
1 1/2	38	48.3	32	48.6	51	29	8.3	89	106	36.5	79.3	17.0	1.80	5143-048-24	420	420
2	51	60.3	41	61.0	70	35	10.0	116	135	44.5	96.8	21.0	2.45	5143-061-32	420	420
2 1/2	64	76.1	50	76.6	75	45	13.0	150	166	58.7	123.8	25.0	6.25	5143-076-40	420	420
3	76	88.9	58	90.0	90	55	16.0	178	208	71.4	152.4	32.0	8.10	5143-090-48	420	420

*Please add suffix **RVS** after partnumber if stainless steel is required.