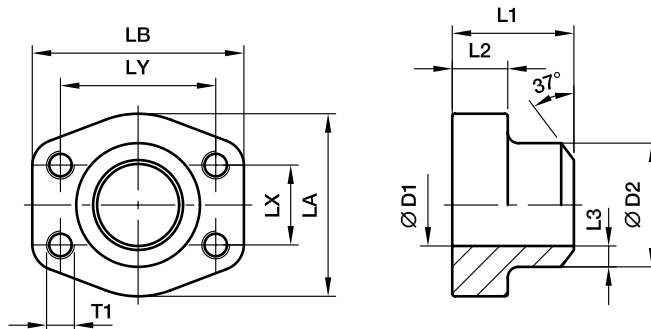


**5144 / 5145 - SAE Straight 4 bolt counter flange (butt weld)**

SAE Counter flange / Butt weld tube end  
(ISO 6162-1/-2)



**3000 PSI Series**

Nom. flange size SAE (in.)	ISO (DN)	Ø max.	D1	D2	L1	L2	L3	LA	LB	LX	LY	Weight (steel) kg/piece	Order code*	PN (bar)	
														S	SS
1/2	13	21.3	13	21.6	36	16	4.3	47	57	17.5	38.1	0.25	5144-021-08	345	345
3/4	19	26.9	19	27.2	36	18	4.1	49	66	22.3	47.6	0.35	5144-028-12	345	345
1	25	33.7	25	34.5	38	18	4.7	53	71	26.2	52.4	0.46	5144-034-16	345	345
1 1/4	32	42.4	31	42.8	41	21	6.0	69	80	30.2	58.7	0.66	5144-042-20	276	276
1 1/2	38	48.3	38	48.6	44	25	5.3	77	94	35.7	69.9	1.05	5144-048-24	207	207
2	51	60.3	50	61.0	45	25	5.5	89	103	42.9	77.8	1.19	5144-061-32	207	207
2 1/2	64	76.1	63	76.6	50	25	6.8	101	115	50.8	88.9	1.40	5144-077-40	172	172
3	76	88.9	73	89.0	50	27	8.0	124	135	61.9	106.4	2.15	5144-092-48	138	138
3 1/2	89	101.6	89	103.0	50	27	7.0	134	153	69.9	120.7	2.40	5144-103-56	34	34
4	102	114.3	99	115.0	50	27	8.0	147	163	77.8	130.2	2.85	5144-115-64	34	34
5	127	140.0	120	141.0	50	28	10.5	180	184	92.1	152.4	4.90	5144-140-80	34	34

**6000 PSI Series**

1/2	13	17.2	10	17.5	36	16	3.7	47	57	18.2	40.5	0.29	5145-017-08	420	420
1/2	13	21.3	13	21.6	36	16	4.3	47	57	18.2	40.5	0.26	5145-021-08	420	420
3/4	19	26.9	18	27.2	36	19	4.6	53	71	23.8	50.8	0.50	5145-028-12	420	420
1	25	33.7	22	34.5	44	24	6.3	66	80	27.8	57.2	0.76	5145-034-16	420	420
1 1/4	32	42.4	28	42.8	44	27	7.4	77	94	31.8	66.6	1.20	5145-042-20	420	420
1 1/2	38	48.3	32	48.6	51	30	8.3	89	106	36.5	79.3	1.65	5145-048-24	420	420
2	51	60.3	41	61.0	70	37	10.0	116	135	44.5	96.8	2.75	5145-061-32	420	420
2 1/2	64	76.1	50	76.6	75	45	13.0	150	166	58.7	123.8	6.40	5145-076-40	420	420
3	76	88.9	58	90.0	90	55	16.0	178	208	71.4	152.4	8.25	5145-090-48	420	420

\*Please add suffix **RVS** after partnumber if stainless steel is required.